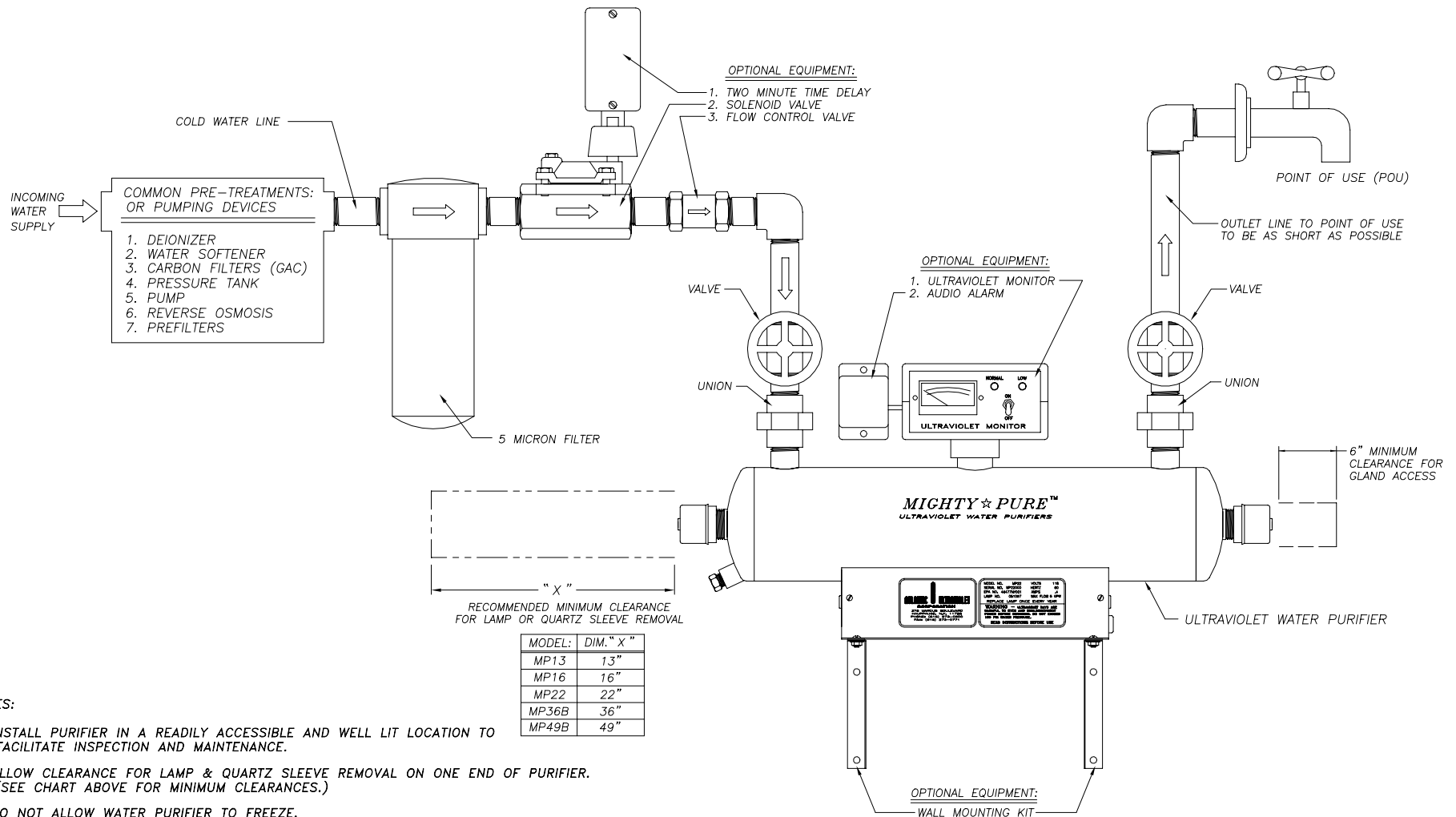


MIGHTY☆PURE™

ULTRAVIOLET WATER PURIFIERS

RECOMMENDED INSTALLATION

MODELS: MP13, MP16, MP22, MP36B & MP49B



NOTES:

1. INSTALL PURIFIER IN A READILY ACCESSIBLE AND WELL LIT LOCATION TO FACILITATE INSPECTION AND MAINTENANCE.
2. ALLOW CLEARANCE FOR LAMP & QUARTZ SLEEVE REMOVAL ON ONE END OF PURIFIER. (SEE CHART ABOVE FOR MINIMUM CLEARANCES.)
3. DO NOT ALLOW WATER PURIFIER TO FREEZE.
4. MAXIMUM RECOMMENDED AMBIENT TEMPERATURE: 90°F.
5. IT IS NOT RECOMMENDED THAT WATER PURIFIER BE SOLELY SUPPORTED BY PLUMBING.
6. LINE CORD AND LAMP LEAD WIRE OMITTED FOR CLARITY.
7. MAXIMUM RECOMMENDED OPERATING PRESSURE IS 100 PSI.
8. CONSULT FACTORY FOR ELECTRICAL COMPONENTS OTHER THAN 118 VOLT/60 HERTZ.
9. SUGGESTED SOLENOID VALVE REQUIRES A MINIMUM OF 5 PSI IN ORDER TO FUNCTION CORRECTLY.

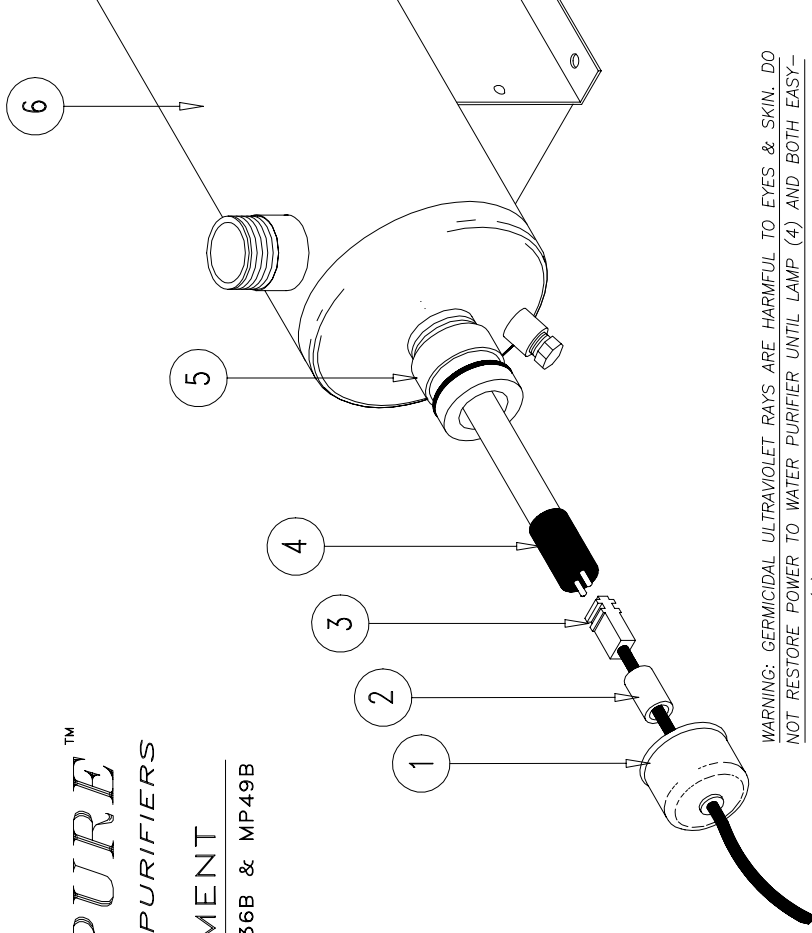
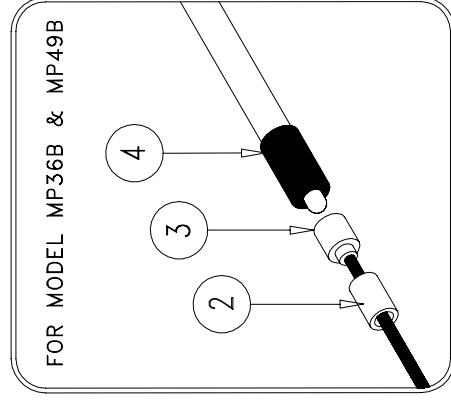


MIGHTY PURE™

ULTRAVIOLET WATER PURIFIERS

LAMP REPLACEMENT

MODELS: MP13, MP16, MP22, MP36B & MP49B



WARNING: GERMICIDAL ULTRAVIOLET RAYS ARE HARMFUL TO EYES & SKIN. DO NOT RESTORE POWER TO WATER PURIFIER UNTIL LAMP (4) AND BOTH EASY-OFF END CAPS (1) HAVE BEEN PROPERLY REINSTALLED.

1. DISCONNECT POWER TO WATER PURIFIER.
2. REMOVE EASY-OFF END CAP (1) BY PULLING CAP OFF STATIC GLAND NUT (5). SLIDE EACH END CAP (1) ALONG THE WIRE AWAY FROM THE SOCKET (3).
3. CAREFULLY WITHDRAW LAMP (4) APPROXIMATELY 2 INCHES FROM CHAMBER (6) WHILE FEEDING LAMP SOCKET & LEAD WIRE (3) ON OPPOSITE END OF CHAMBER.
4. WHILE HOLDING LAMP END (4), CAREFULLY REMOVE LAMP SOCKET (3) ON END NOW EXPOSED.
5. NEXT, CAREFULLY WITHDRAW LAMP (4) APPROXIMATELY 2 INCHES ON OPPOSITE END, HOLD LAMP & REMOVE LAMP SOCKET (3).
6. LAMP SHOULD NOW BE FREE ON BOTH ENDS. CAREFULLY WITHDRAW LAMP (4) FROM CHAMBER (6). BE SURE TO WITHDRAW LAMP STRAIGHT OUT WITHOUT ANGLING UNTIL COMPLETELY CLEAR OF QUARTZ SLEEVE.

CAUTION: LAMP AND QUARTZ SLEEVE ARE EASILY DAMAGED. EXERCISE CARE WHEN REMOVING OR REPLACING LAMP.

7. REASSEMBLE IN REVERSE ORDER.

ITEM	DESCRIPTION	QTY	MODEL: MP13	MODEL: MP16	MODEL: MP22	MODEL: MP36B	MODEL: MP49B
			PART NO.	PART NO.	PART NO.	PART NO.	PART NO.
1	EASY OFF END CAP	2	251499A1	251499A1	251499A1	251499A1	251499A1
2	LAMP SPACER	2	250208A	250208A	250208A	—	250209A
3	LAMP SOCKET & LEAD WIRE	2	051219B2	051219B2	051218A2	051218A2	051218A2
4	GERMICIDAL ULTRAVIOLET LAMP	1	051400	051098	051097	051343	051334
5	STATIC GLAND NUT	2	251492D	251492D	251492D	251492D	251492D
6	CHAMBER	1	251465D1	251465D2	251465D3	251465F4	251465E5

ATLANTIC CORPORATION
ULTRAVIOLET
 375 MADISON BOULEVARD
 HALIFAX, N. CAROLINA
 PHONE: (631) 273-0500
 FAX: (631) 273-0771

MIGHTY PURE™

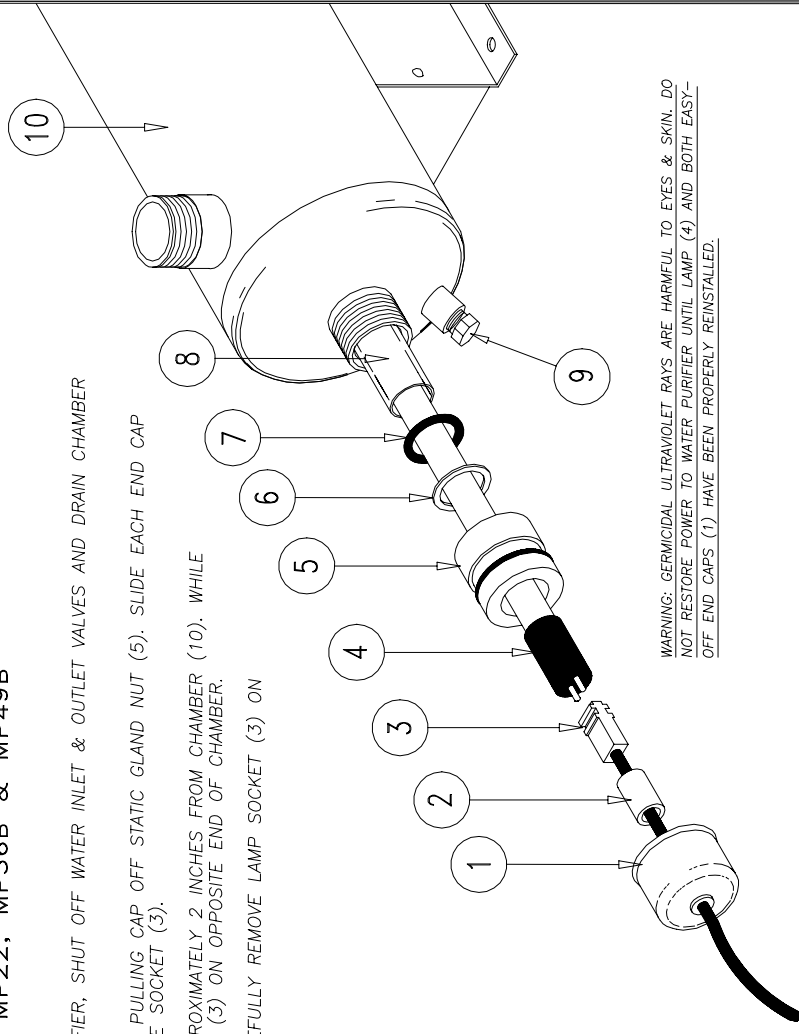
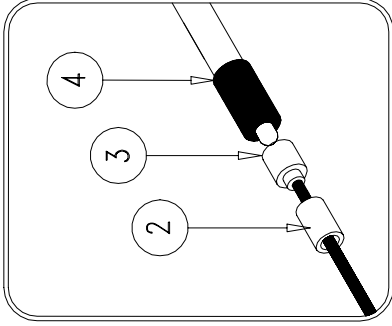
ULTRAVIOLET WATER PURIFIERS

QUARTZ SLEEVE CLEANING OR REPLACEMENT

MODELS: MP13, MP16, MP22, MP36B & MP49B

1. DISCONNECT POWER TO WATER PURIFIER, SHUT OFF WATER INLET & OUTLET VALVES AND DRAIN CHAMBER BY REMOVING DRAIN PLUG (9).
2. REMOVE EASY-OFF END CAP (1) BY PULLING CAP OFF STATIC GLAND NUT (5). SLIDE EACH END CAP (1) ALONG THE WIRE AWAY FROM THE SOCKET (3).
3. CAREFULLY WITHDRAW LAMP (4) APPROXIMATELY 2 INCHES FROM CHAMBER (10). WHILE FEEDING LAMP SOCKET & LEAD WIRE (3) ON OPPOSITE END OF CHAMBER.
4. WHILE HOLDING LAMP END (4), CAREFULLY REMOVE LAMP SOCKET (3) ON END NOW EXPOSED.

FOR MODELS:
MP36B & MP49B



WARNING: GERMICIDAL ULTRAVIOLET RAYS ARE HARMFUL TO EYES & SKIN. DO NOT RESTORE POWER TO WATER PURIFIER UNTIL LAMP (4) AND BOTH EASY-OFF END CAPS (1) HAVE BEEN PROPERLY REINSTALLED.

5. NEXT, CAREFULLY WITHDRAW LAMP (4) APPROXIMATELY 2 INCHES ON OPPOSITE END, HOLD LAMP END & REMOVE LAMP SOCKET (3).
 6. LAMP SHOULD NOW BE FREE ON BOTH ENDS, CAREFULLY WITHDRAW LAMP (4) FROM CHAMBER (10). BE SURE TO WITHDRAW LAMP STRAIGHT OUT WITHOUT ANGLING UNTIL COMPLETELY CLEAR OF QUARTZ SLEEVE (8).
- CAUTION: LAMP AND QUARTZ SLEEVE ARE EASILY DAMAGED. EXERCISE CARE WHEN REMOVING OR REPLACING LAMP.
7. UNSCREW NYLON STATIC GLAND NUTS (5) FROM EACH END OF THE CHAMBER. (AVOID STRIKING QUARTZ SLEEVE WITH STATIC GLAND NUT.) THEN CAREFULLY REMOVE TEFLON WASHER (6) AND O-RING (7) FROM BOTH ENDS OF QUARTZ SLEEVE (8). TEFLON WASHER (6) WILL SOMETIMES REMAIN WITHIN THE STATIC GLAND NUT. IF SO, REMOVE TEFLON WASHER FROM STATIC GLAND NUT (5) BEFORE PROCEEDING.
 8. CAREFULLY REMOVE QUARTZ SLEEVE (8) FROM CHAMBER (10). NOTE: IT IS ADVISABLE TO SUPPORT THE QUARTZ SLEEVE ON THE BACK SIDE WITH YOUR FINGER SO THAT IT DOES NOT DROP TO THE BOTTOM OF THE CHAMBER WHEN IT SLIDES PAST THE CHAMBER END. ONCE THE QUARTZ SLEEVE IS REMOVED, CLEAN WITH ALCOHOL OR A DETERGENT. STUBBORN STAINS USUALLY CAN BE REMOVED WITH A DILUTE HYDROCHLORIC ACID.
 9. REASSEMBLE IN REVERSE ORDER. BE SURE O-RINGS (7) ARE PLACED ON QUARTZ SLEEVE (8) BEFORE TEFLON RINGS (6).
 10. TIGHTEN STATIC GLAND NUTS FIRMLY BY HAND ONLY, DO NOT USE HAND TOOLS. TIGHTENING WITH HAND TOOLS IS LIKELY TO CAUSE QUARTZ SLEEVE TO BREAK.

ITEM	DESCRIPTION	QTY	MODEL: MP13	MODEL: MP16	MODEL: MP22	MODEL: MP36B	MODEL: MP49B
			PART NO.	PART NO.	PART NO.	PART NO.	PART NO.
1	EASY OFF END CAP	2	251499A1	251499A1	251499A1	251499A1	251499A1
2	LAMP SPACER	2	250208A	250208A	—	250209A	—
3	LAMP SOCKET & LEAD WIRE	2	051219B2	051219B3	051218A2	051218A2	051218A2
4	GERMICIDAL ULTRAVIOLET LAMP	1	051400	051098	051097	051343	051334
5	STATIC GLAND NUT	2	251492D	251492D	251492D	251492D	251492D
6	TEFLON WASHER	2	251235A	251235A	251235A	251235A	251235A
7	RUBBER "O" RING	2	001238A	001238A	001238A	001238A	001238A
8	QUARTZ SLEEVE	1	151110A	151111A	151112A	151113A	151114A
9	DRAIN PLUG	1	271216	271216	271216	271216	271216
10	CHAMBER	1	251465D1	251465D2	251465D3	251465F4	251465E5

ATLANTIC CORPORATION
ULTRAVIOLET
 375 MARCUS BOULEVARD
 HAUPPAUGE, N.Y. 11788
 PHONE: (631) 273-0500
 FAX: (631) 273-0771